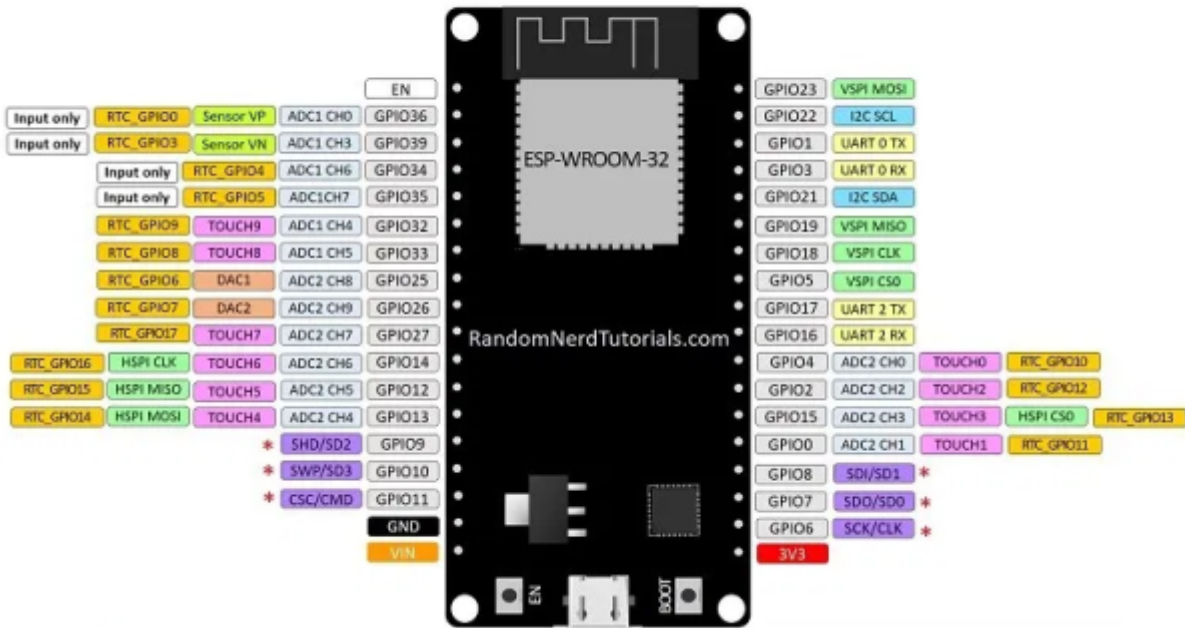




# ESP32 DEVKIT V1 – DOIT

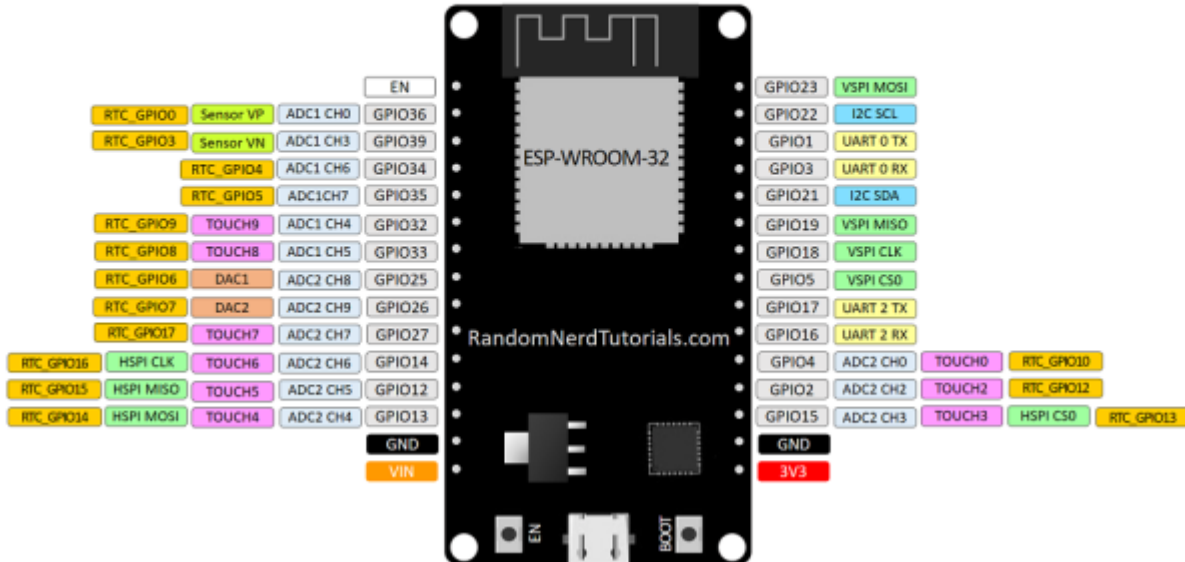
version with 36 GPIOs



\* Pins SCK/CLK, SDO/SD0, SDI/SD1, SHD/SD2, SWP/SD3 and CSC/CMD, namely, GPIO6 to GPIO11 are connected to the integrated SPI flash integrated on ESP-WROOM-32 and are not recommended for other uses.

# ESP32 DEVKIT V1 – DOIT

version with 30 GPIOs



From: <http://theta5912.net/> - reth

Permanent link: <http://theta5912.net/doku.php?id=public:computer:esp32&rev=1654757423>

Last update: 2022/06/09 15:50

